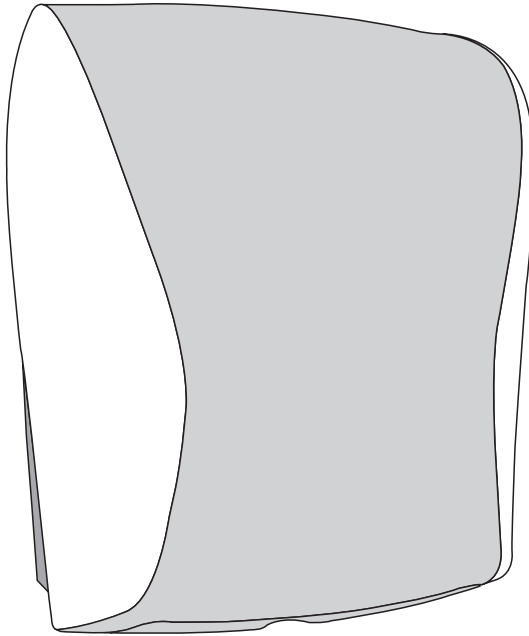
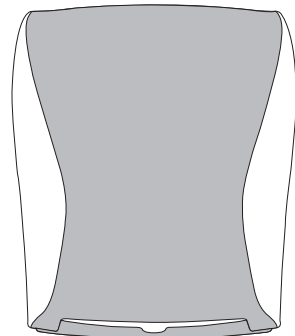
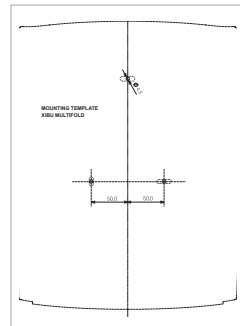
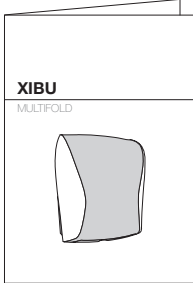
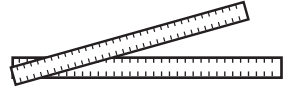
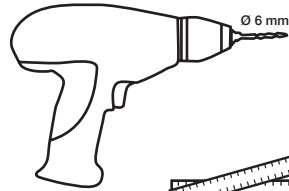
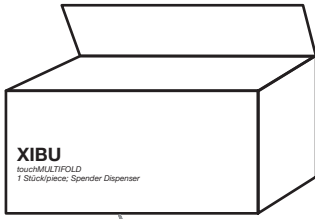


# XIBU

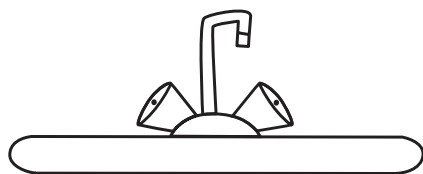
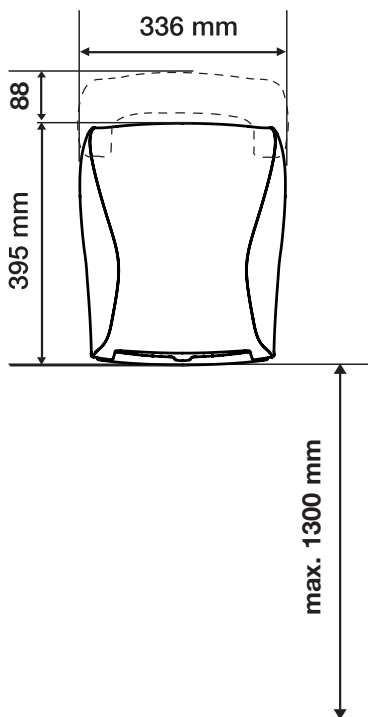
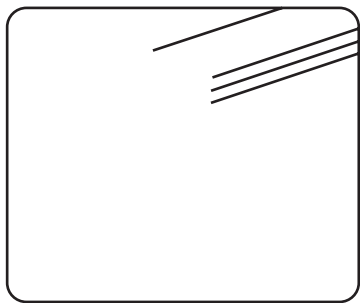
MULTIFOLD

---



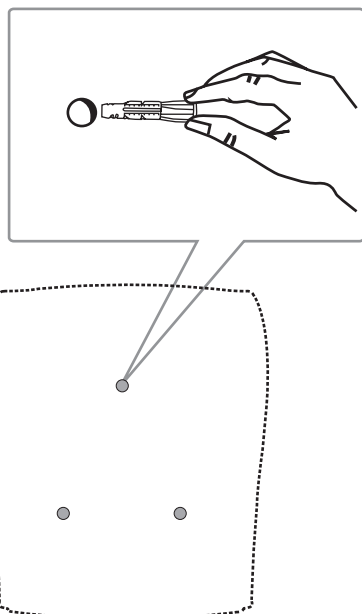
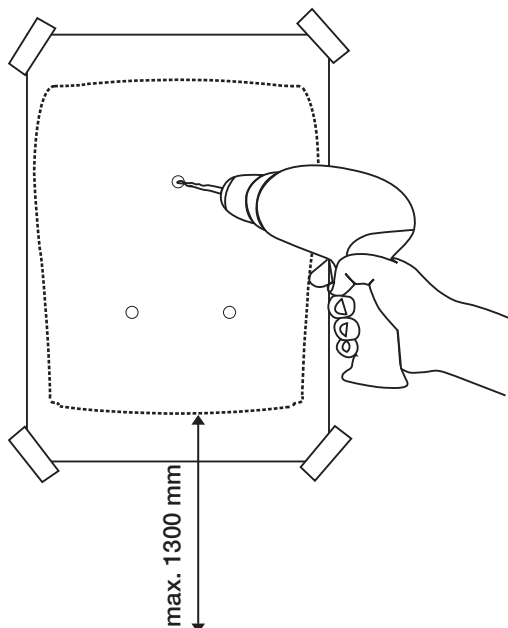


1.

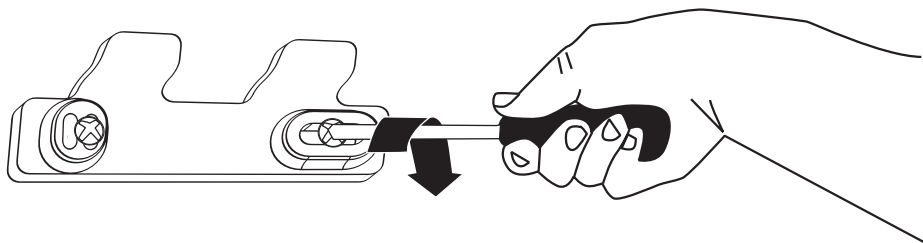


2.

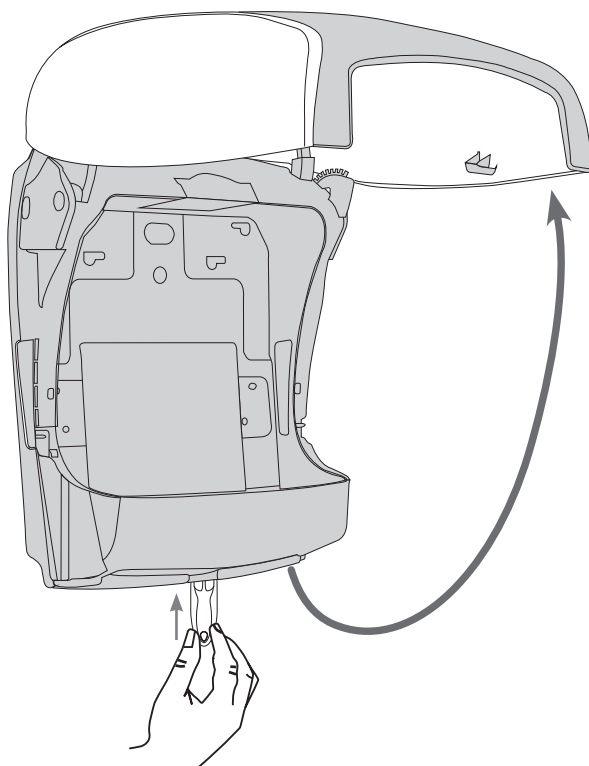
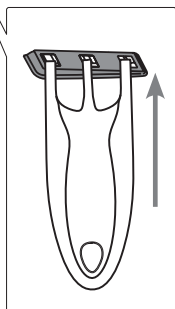
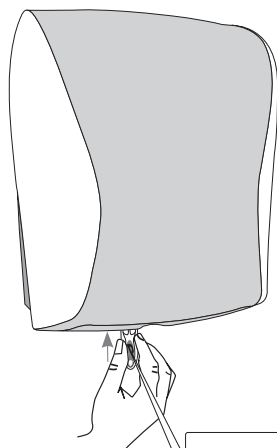
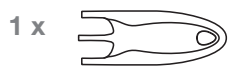
3 x 



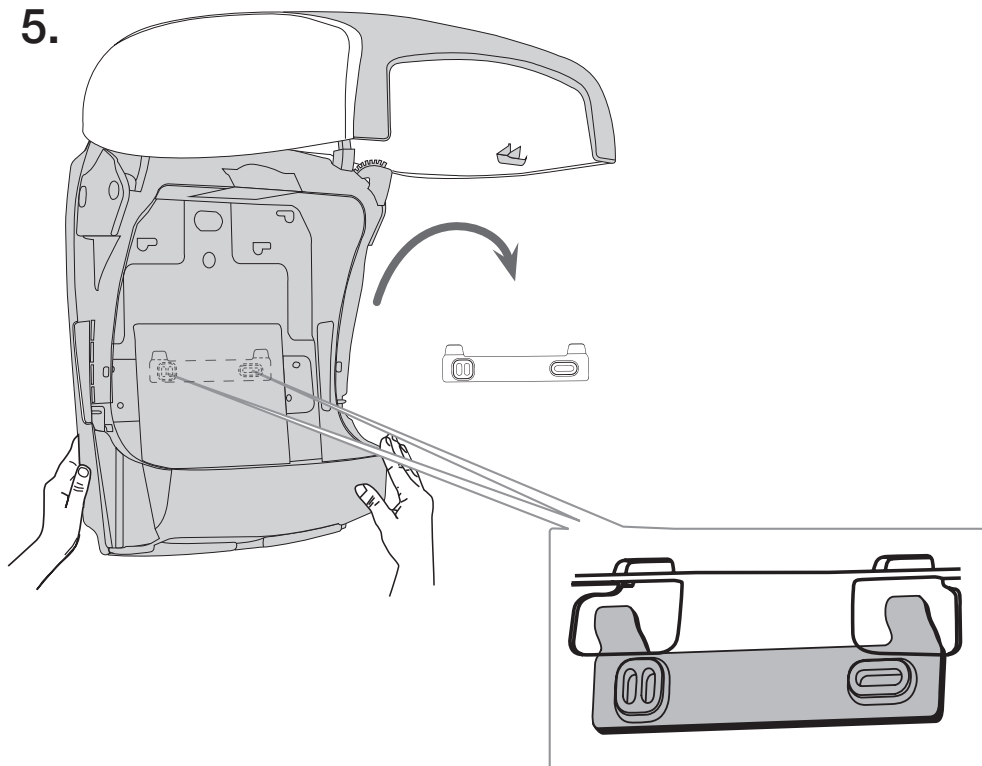
3.



4.

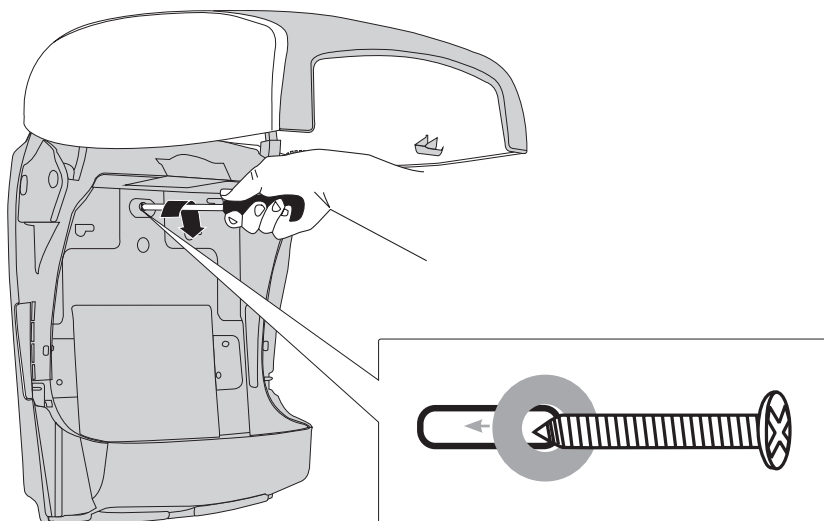


5.

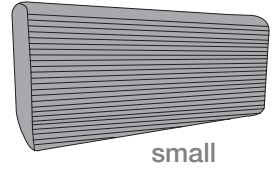
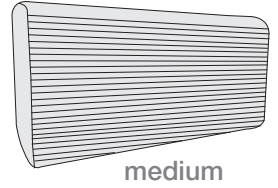
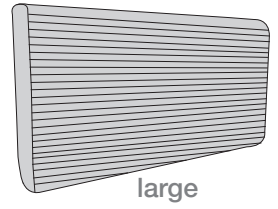
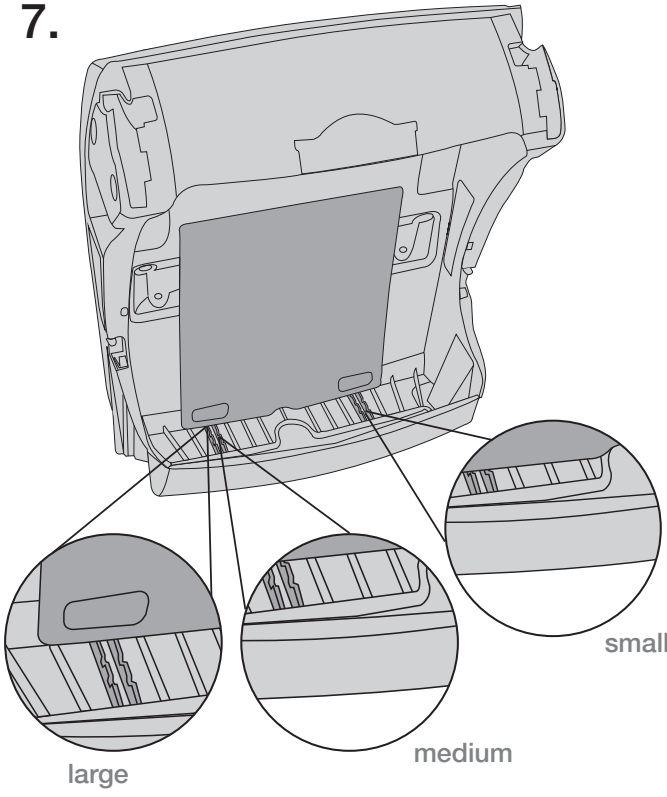


6.

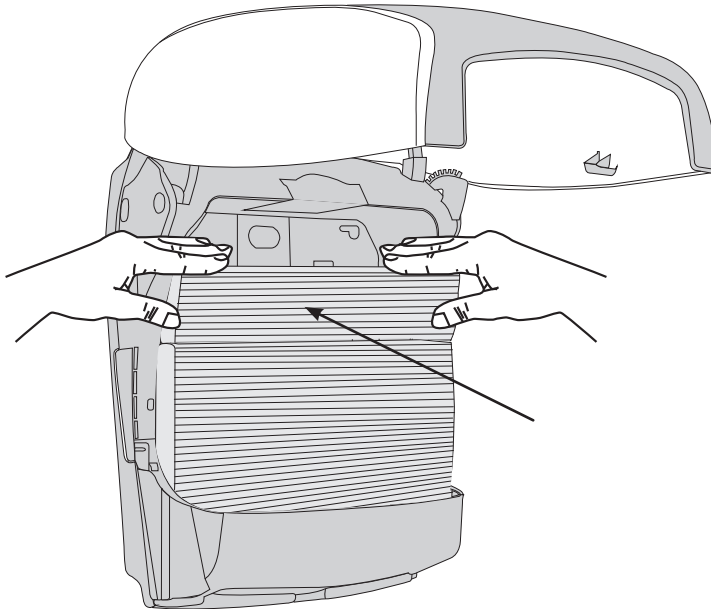
1 x  1 x 



7.

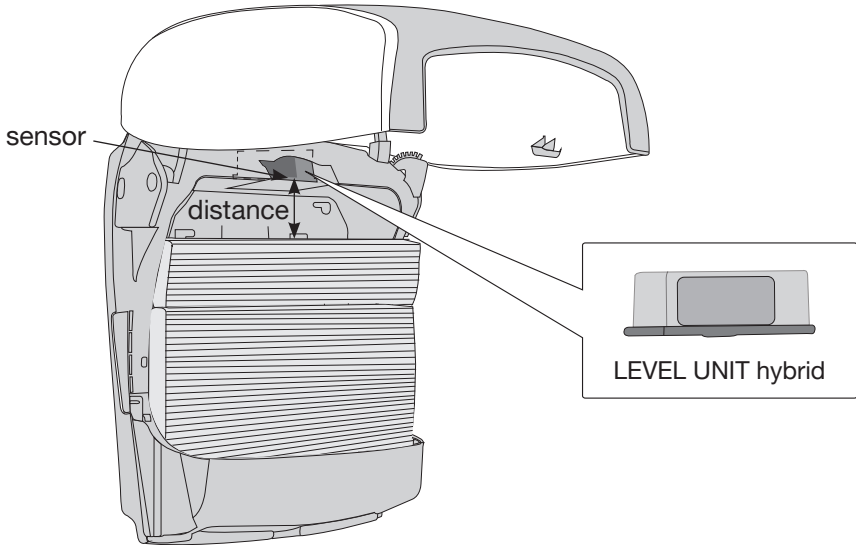


8.



# Option

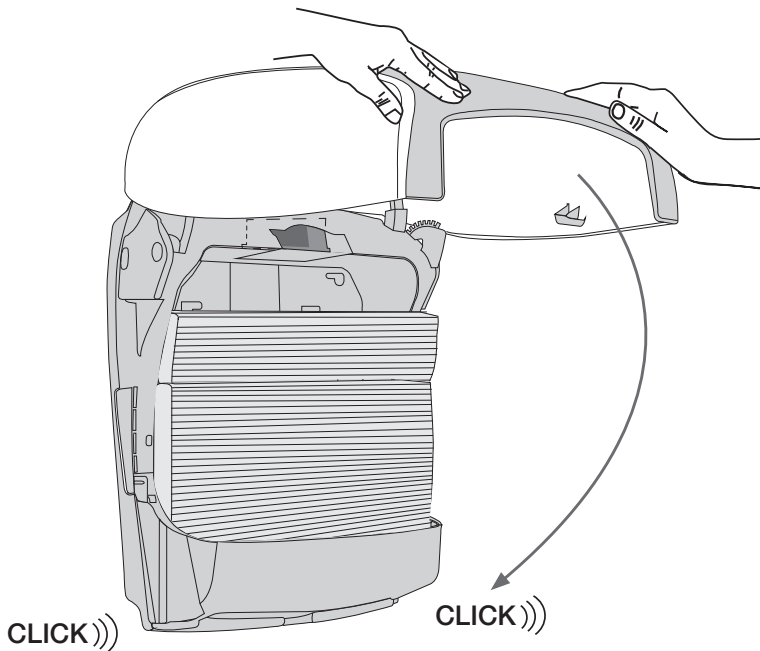
add hybrid for MULTIFOLD



Please follow this link for further instructions:

[https://cdn.hagleitner.com/fileadmin/user\\_upload/shop\\_rsync/banleitung/2020/BAL\\_LEVEL\\_UNIT\\_hybrid\\_20201120.pdf](https://cdn.hagleitner.com/fileadmin/user_upload/shop_rsync/banleitung/2020/BAL_LEVEL_UNIT_hybrid_20201120.pdf)

9.



10.

